

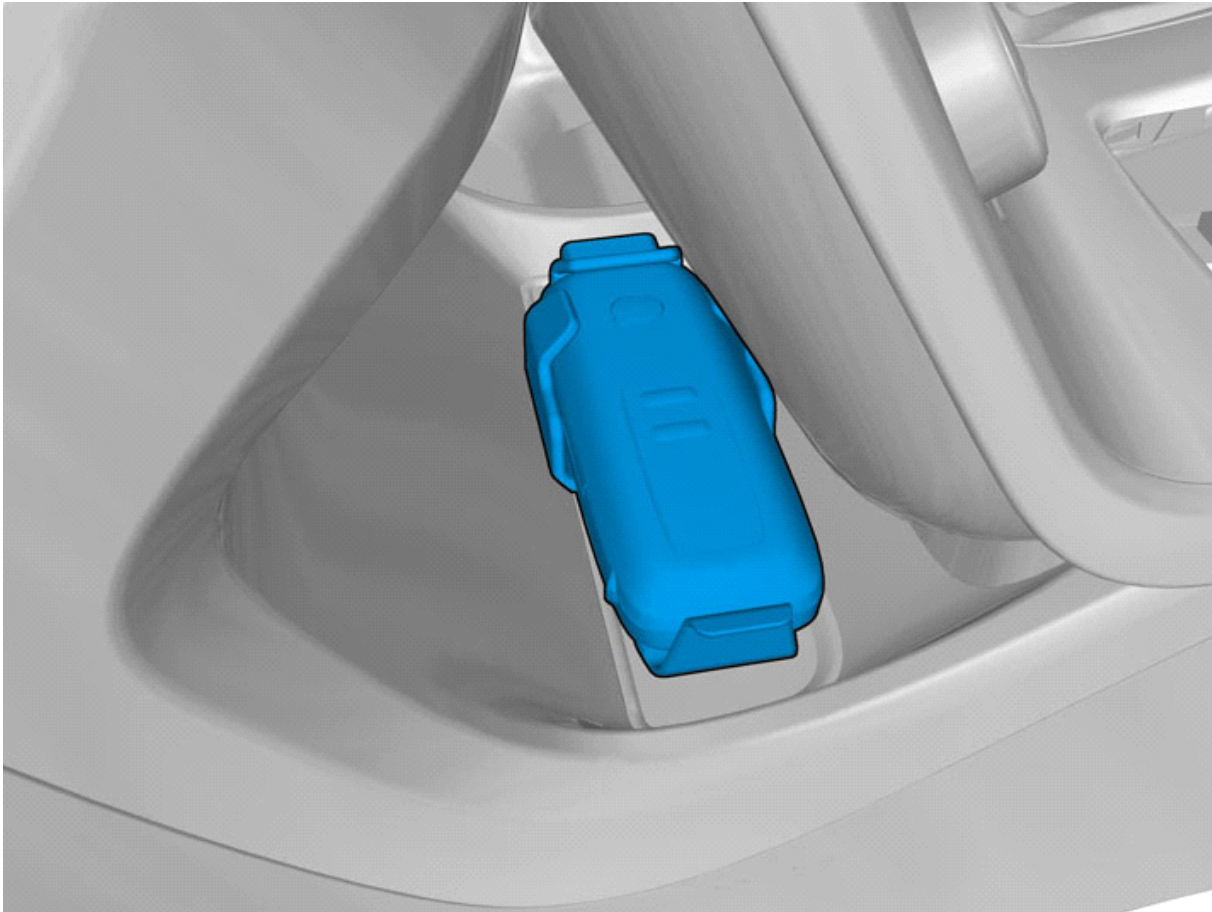


# Installation instructions, accessories

Volvo Car Corporation Gothenburg, Sweden

Instruction No	Version	Part. No.
31435814	1.1	31408818

## Alcoguard



IMG-349341



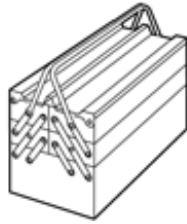
# Installation instructions, accessories

Volvo Car Corporation Gothenburg, Sweden

## Equipment

# VIDA

IMG-242205



IMG-345497

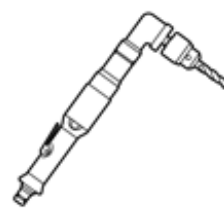


IMG-239664

Nm  
lbf.ft



IMG-239660



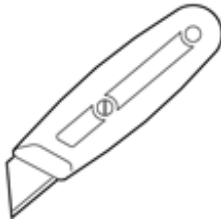
IMG-240675



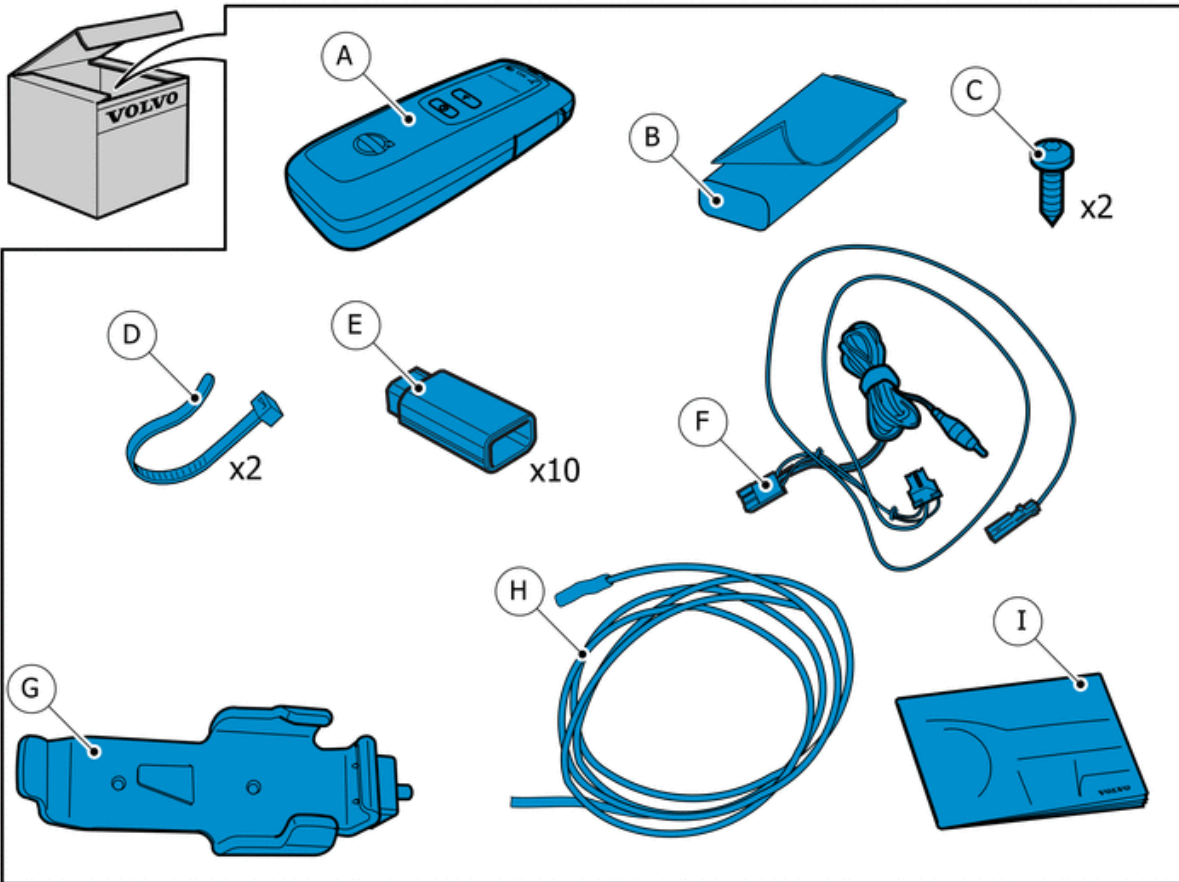
IMG-240673



IMG-239981



IMG-239980



IMG-405910



# Installation instructions, accessories

Volvo Car Corporation Gothenburg, Sweden

## Information

1

Read through all of the instructions before starting installation.

Notifications and warning texts are for your safety and to minimise the risk of something breaking during installation.

Ensure that all tools stated in the instructions are available before starting installation.

Certain steps in the instructions are only presented in the form of images. Explanatory text is also given for more complicated steps.

In the event of any problems with the instructions or the accessory, contact your local Volvo dealer.

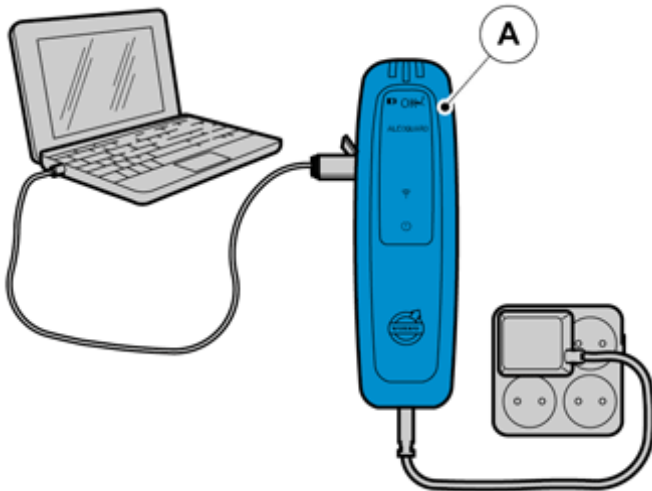
## Conditions

2

Where the procedure differs, the right-hand version is also shown with text and image.

## All vehicles

3



IMG-349120

Activate and calibrate the Alcohol Analysing Start Inhibitor according to TJ (Technical Journal) 19265.



# Installation instructions, accessories

Volvo Car Corporation Gothenburg, Sweden

4

Set the ignition key to position 0.

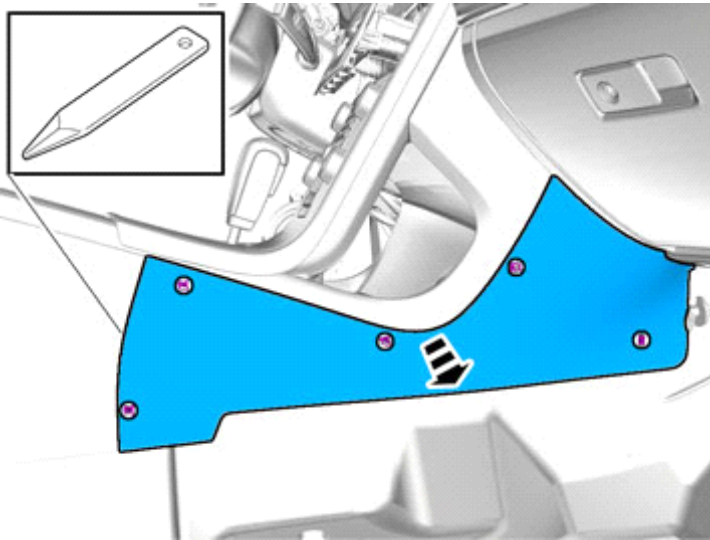


IMG-332193

---

## Removal

5



Remove the panel.

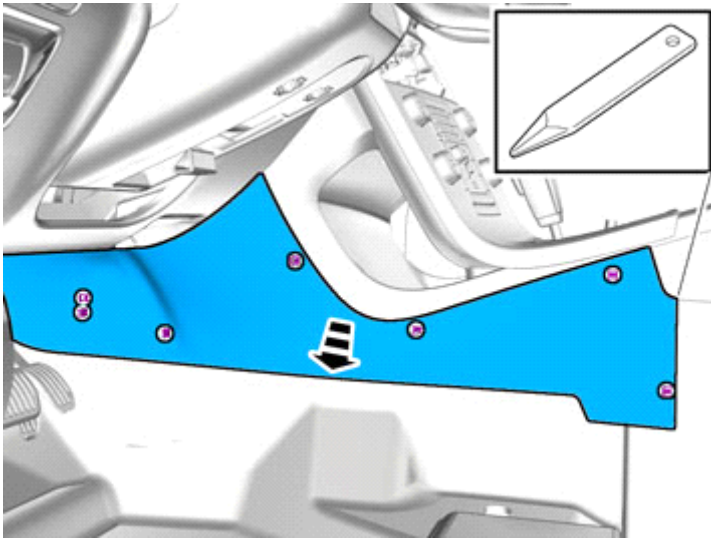
IMG-340600



# Installation instructions, accessories

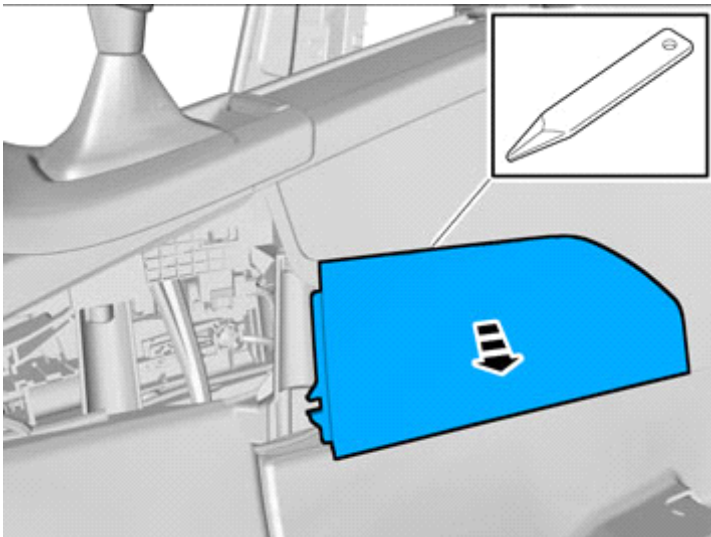
Volvo Car Corporation Gothenburg, Sweden

6



IMG-340598

7



IMG-345746

8



IMG-308353

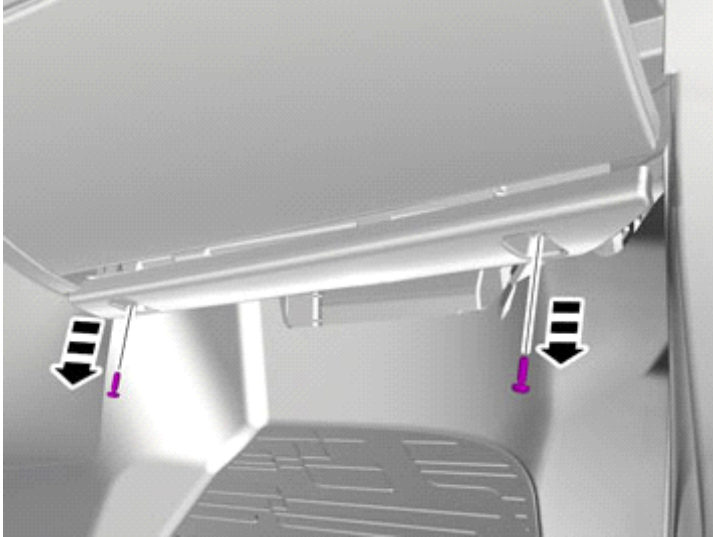
Disconnect any connector(s).



# Installation instructions, accessories

Volvo Car Corporation Gothenburg, Sweden

9



IMG-348572

Remove the screws.

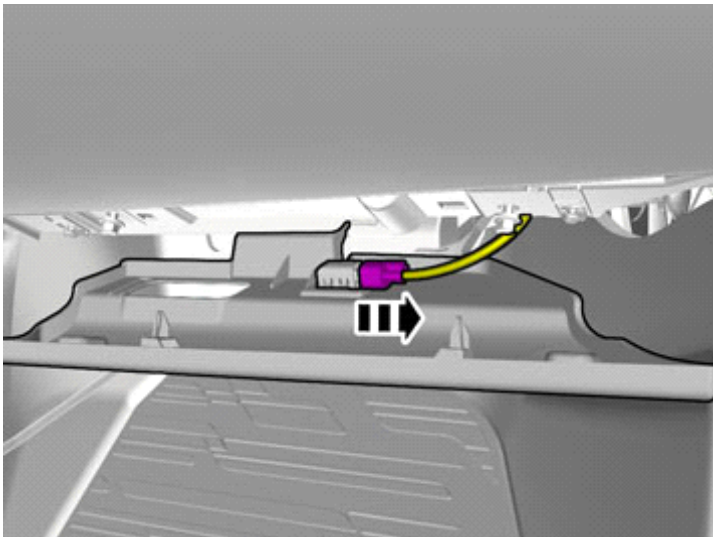
10



IMG-348840

Detach the panel.

11



IMG-348573

Disconnect the connector.

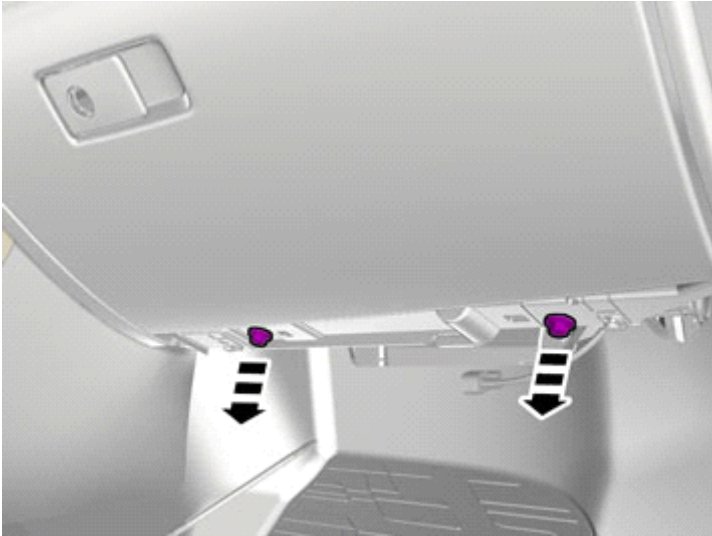




# Installation instructions, accessories

Volvo Car Corporation Gothenburg, Sweden

12



IMG-348574

Remove the screws.

**Tightening torque:** M6 , 10 Nm

13



IMG-354758

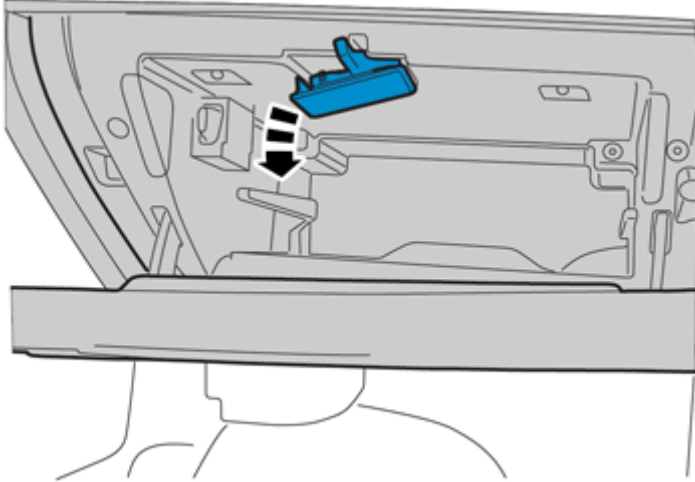


# Installation instructions, accessories

Volvo Car Corporation Gothenburg, Sweden

14

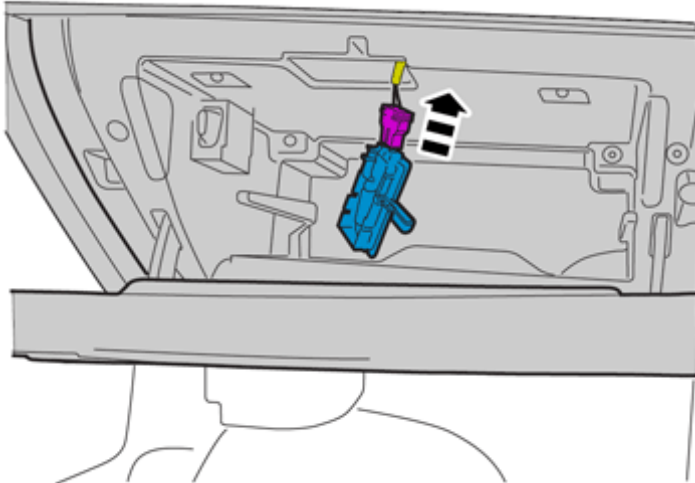
Remove the part carefully



IMG-348576

15

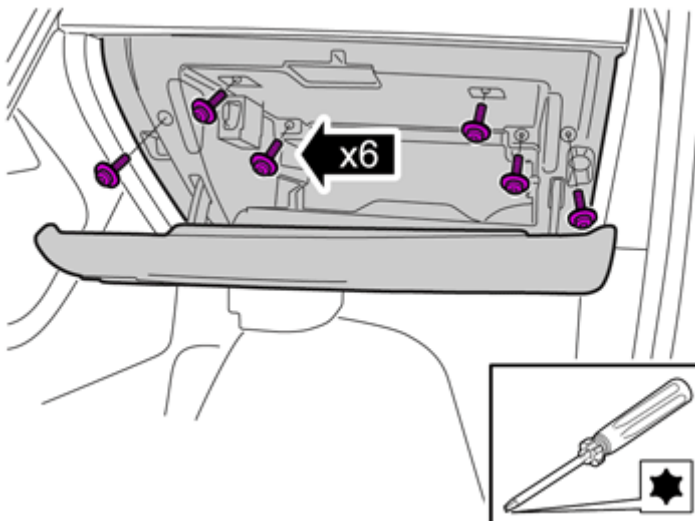
Disconnect the connector.



IMG-348577

16

Remove the screws.



IMG-348578

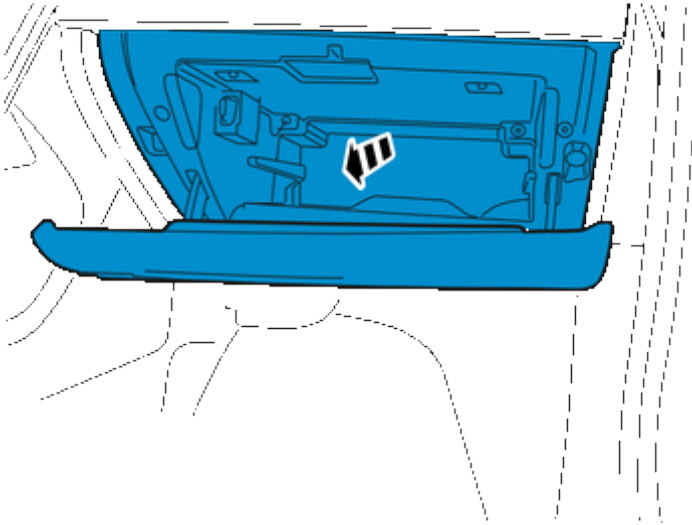




# Installation instructions, accessories

Volvo Car Corporation Gothenburg, Sweden

17



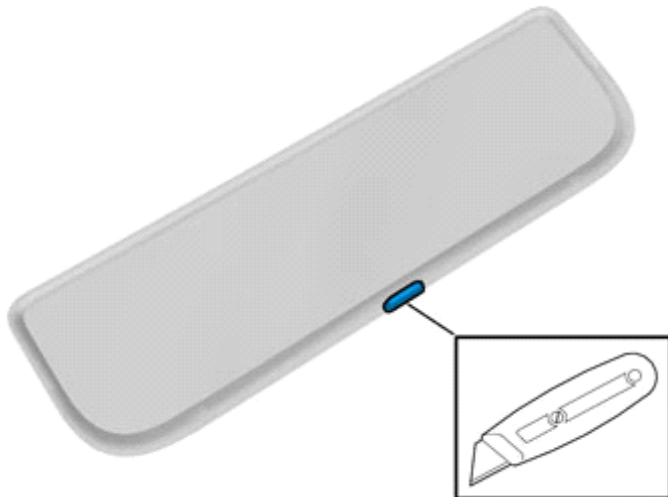
IMG-348579

18



IMG-354759

19



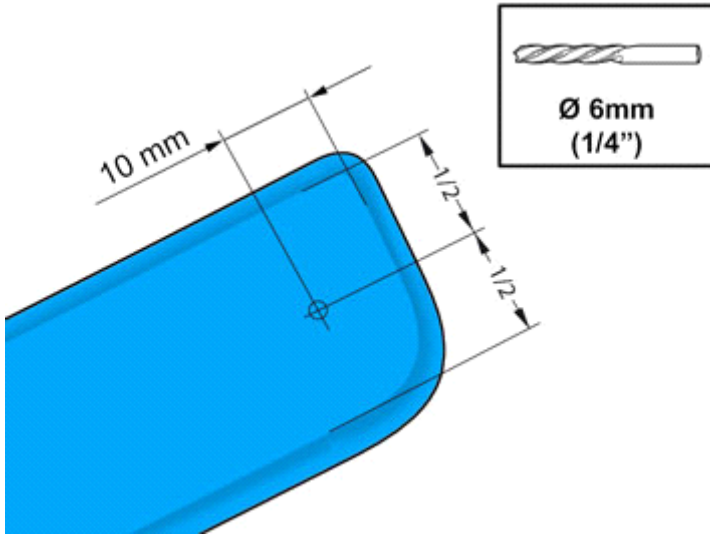
IMG-349091



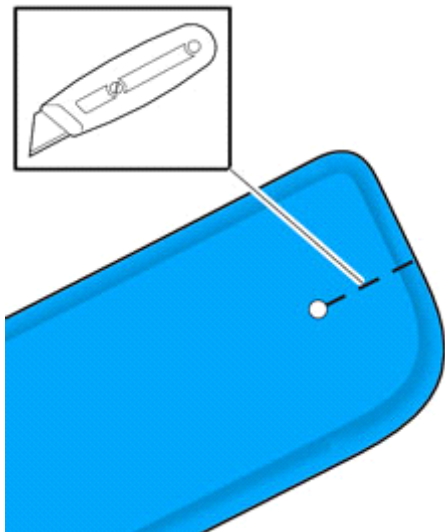
# Installation instructions, accessories

Volvo Car Corporation Gothenburg, Sweden

20



21





# Installation instructions, accessories

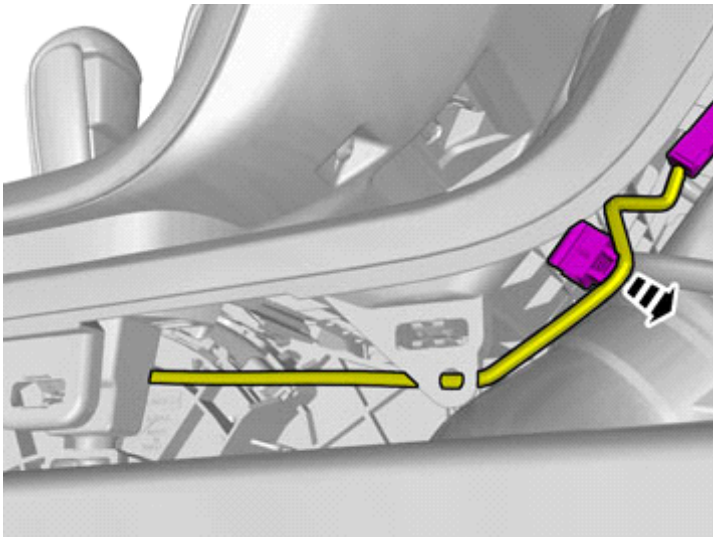
Volvo Car Corporation Gothenburg, Sweden

22



IMG-354761

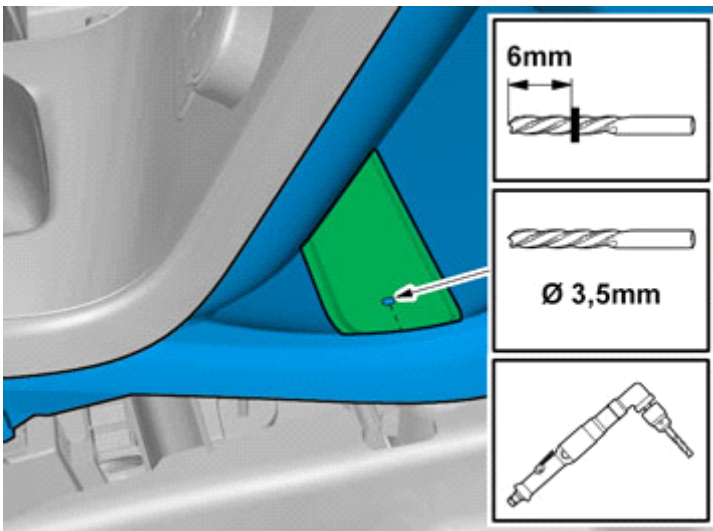
23



IMG-354760

Unhook the clip(s).

24



IMG-349128

**Caution!**

Take extra care not to damage the wiring harnesses.

Remove the swarf.



# Installation instructions, accessories

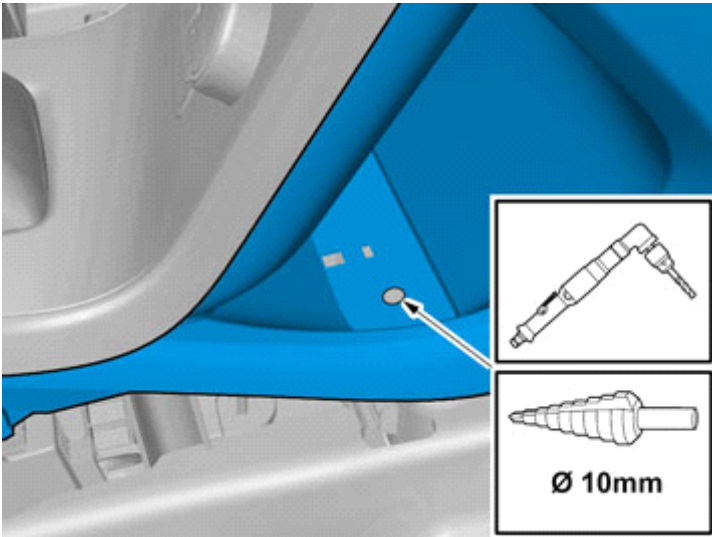
Volvo Car Corporation Gothenburg, Sweden

25



IMG-354762

26



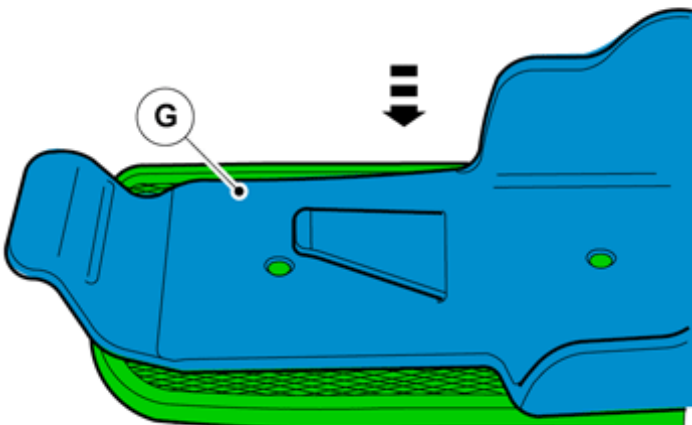
IMG-349129

**Caution!**

Take extra care not to damage the wiring harnesses.

Remove the swarf.

27



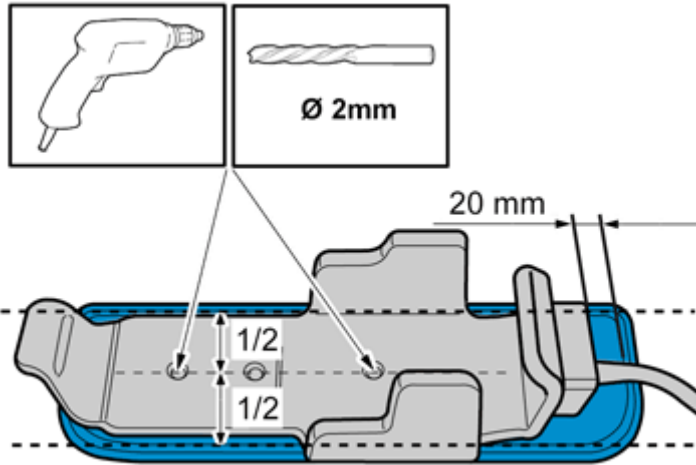
IMG-348878



# Installation instructions, accessories

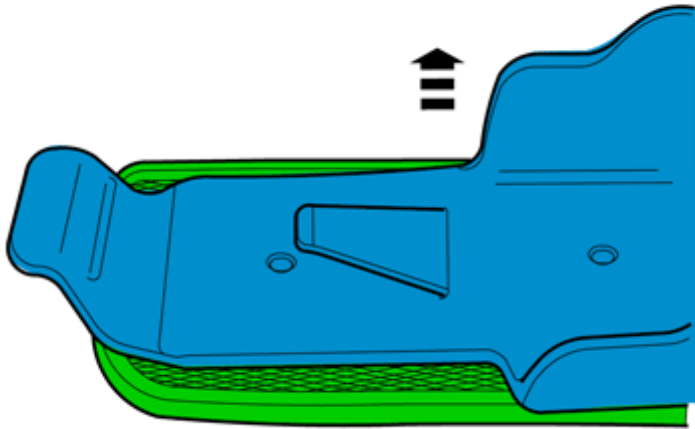
Volvo Car Corporation Gothenburg, Sweden

28



IMG-348611

29



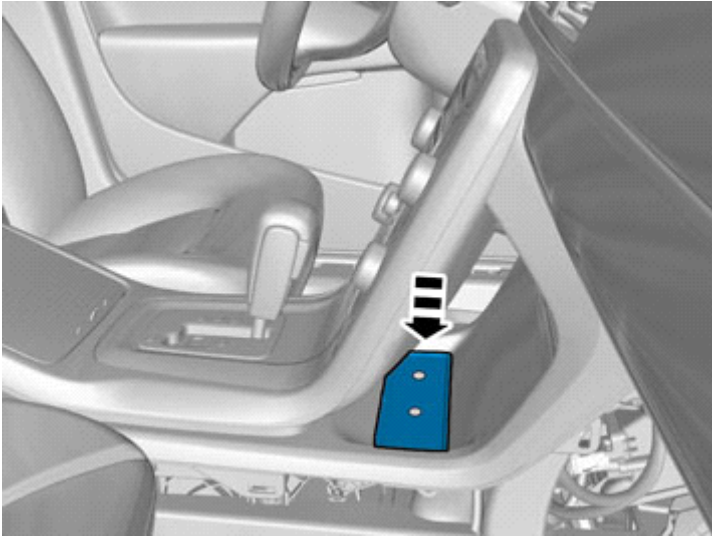
IMG-348879



# Installation instructions, accessories

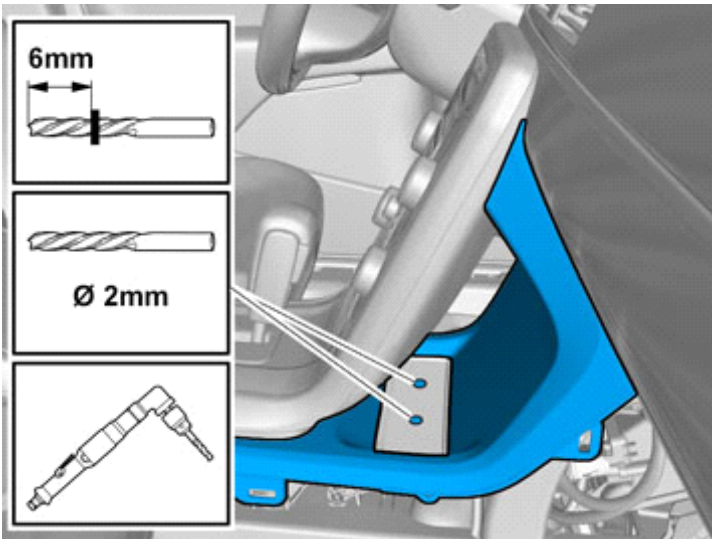
Volvo Car Corporation Gothenburg, Sweden

30



IMG-354763

31



IMG-354764

**Caution!**

Take extra care not to damage the wiring harnesses.

Remove the swarf.

32



IMG-354762

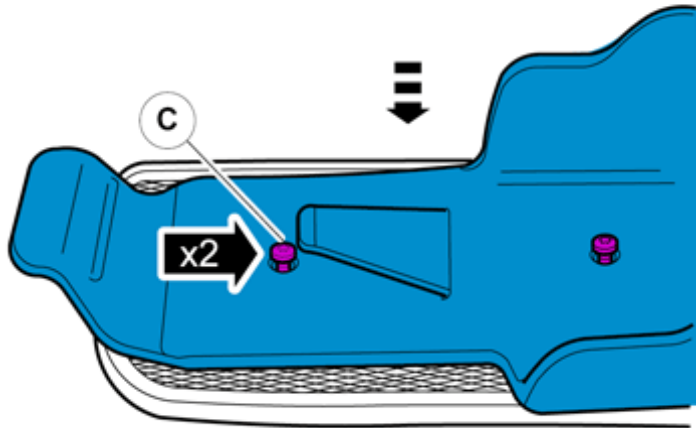




# Installation instructions, accessories

Volvo Car Corporation Gothenburg, Sweden

33



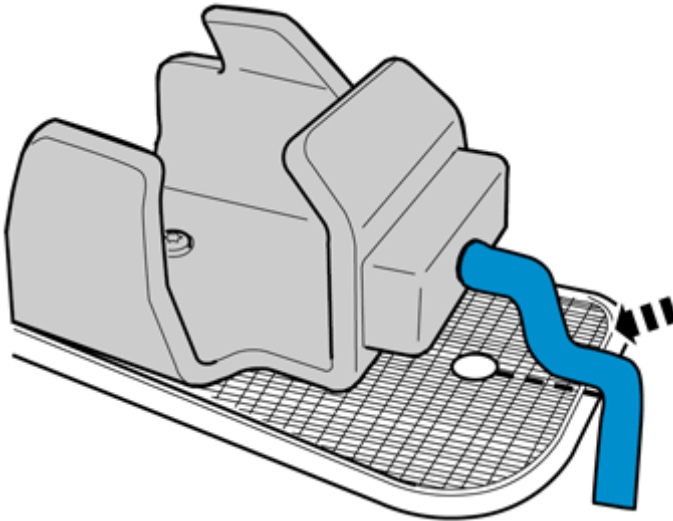
IMG-348613

**Note!**

Only tighten the bolts finger tight at this stage.

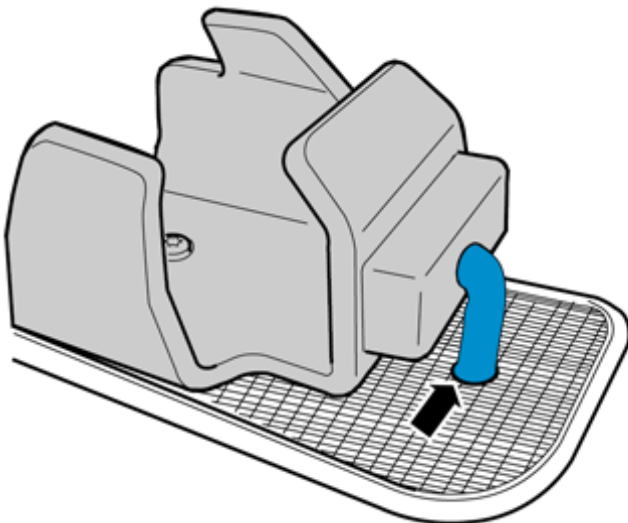
Install the screws.

34



IMG-348614

35



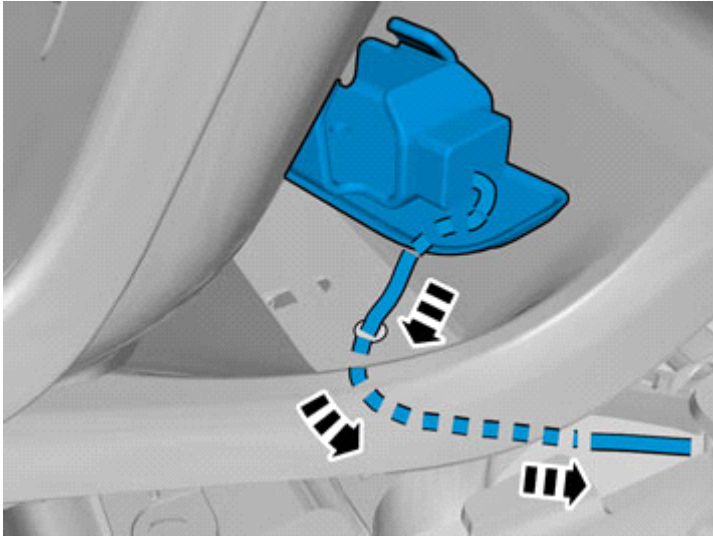
IMG-349309



# Installation instructions, accessories

Volvo Car Corporation Gothenburg, Sweden

36



IMG-349216

Pull the wiring through.

37



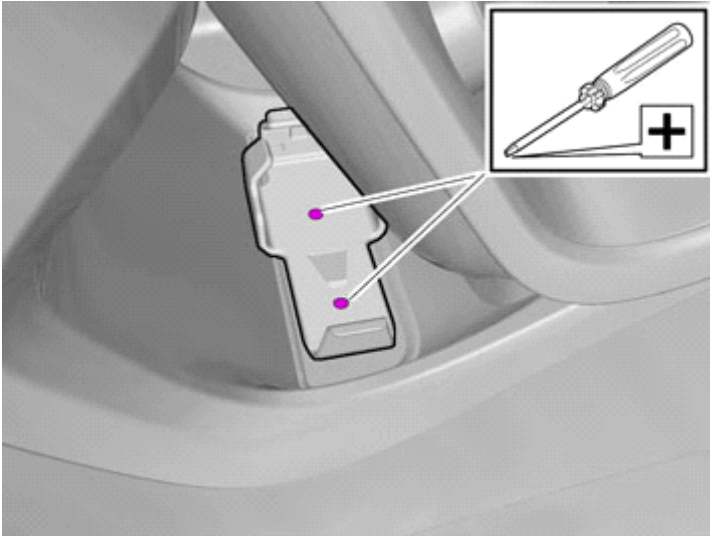
IMG-348585



# Installation instructions, accessories

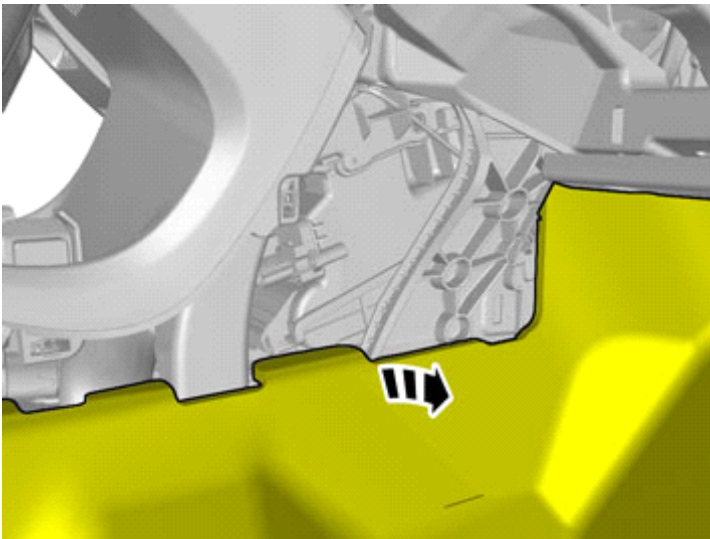
Volvo Car Corporation Gothenburg, Sweden

38



IMG-348615

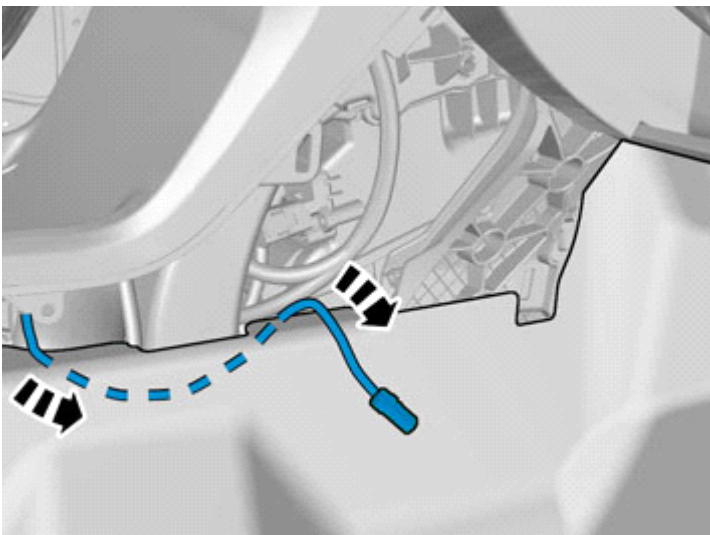
39



Fold the carpet to the side.

IMG-349310

40



Place any excess inside the floor carpet.

IMG-354765

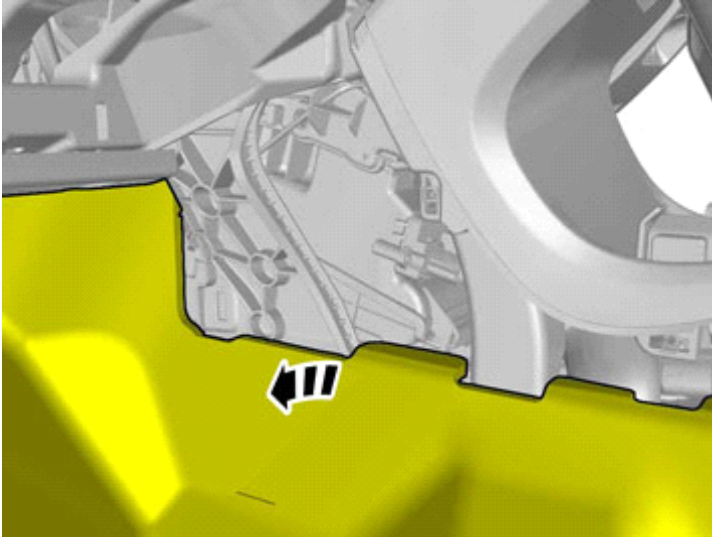


# Installation instructions, accessories

Volvo Car Corporation Gothenburg, Sweden

## Right-hand drive vehicles

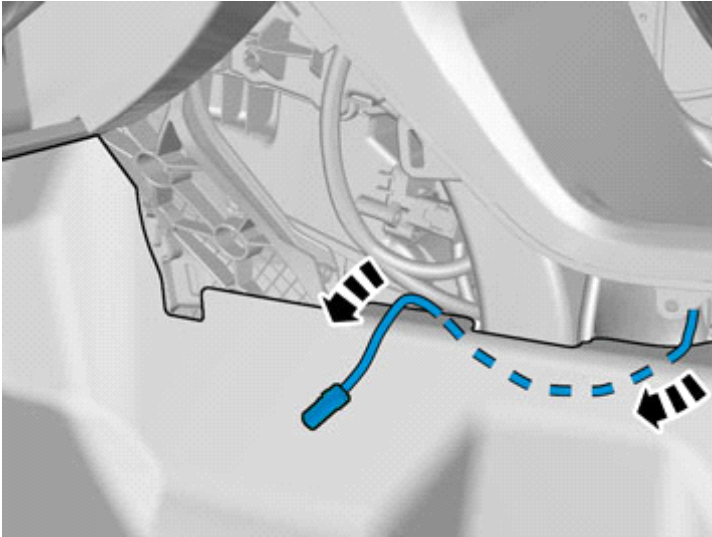
41



IMG-349337

Fold the carpet to the side.

42



IMG-354766

Place any excess inside the floor carpet.

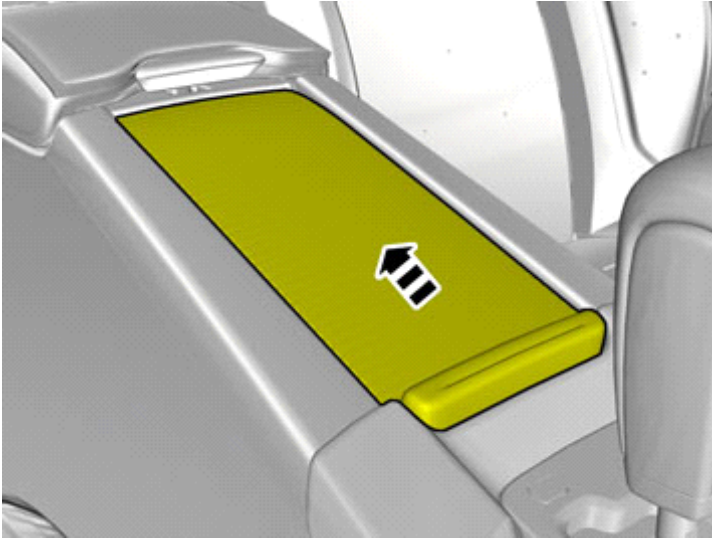
## Installation in Floor Console Compartment



# Installation instructions, accessories

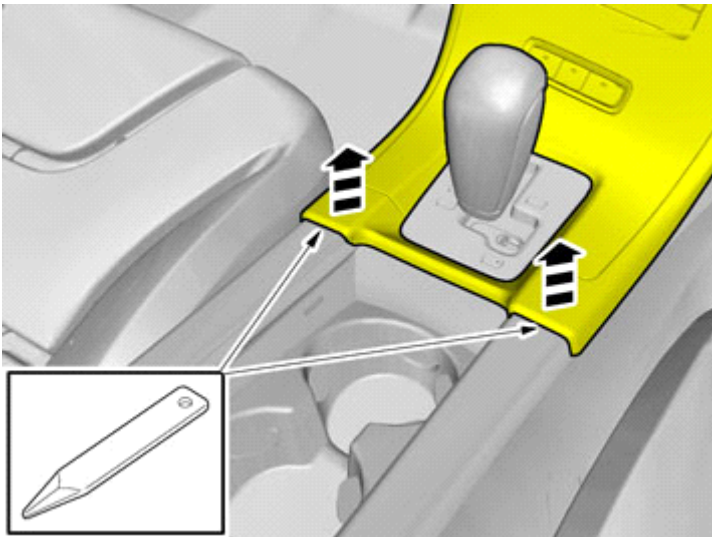
Volvo Car Corporation Gothenburg, Sweden

43



IMG-341773

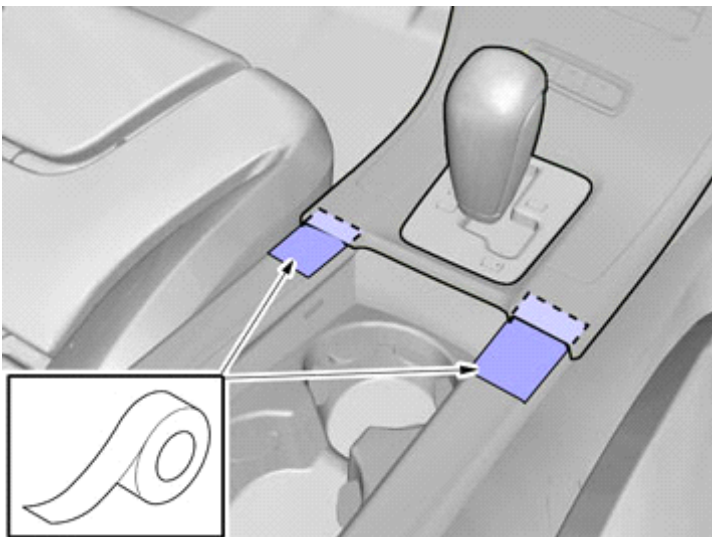
44



IMG-329154

Detach the panel.

45



IMG-348620

**Note!**  
Protect adjacent components with tape.

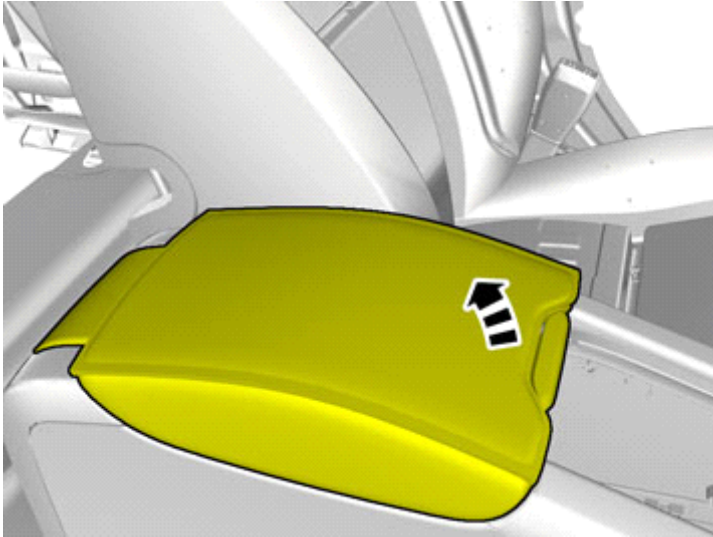




# Installation instructions, accessories

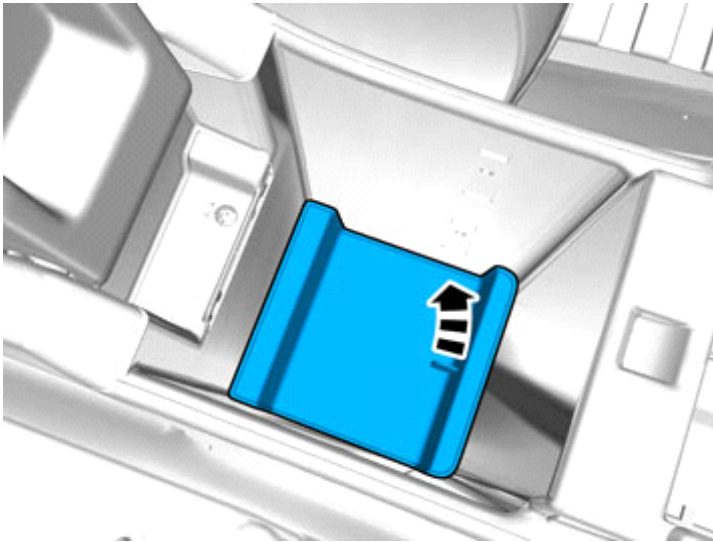
Volvo Car Corporation Gothenburg, Sweden

46



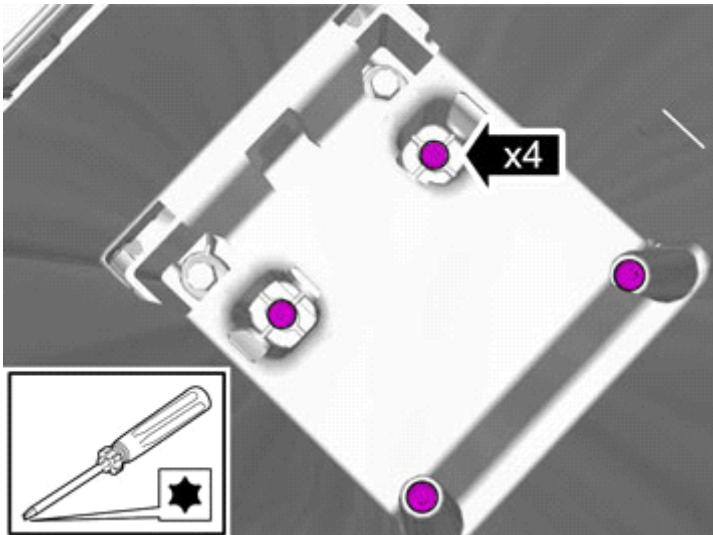
IMG-341780

47



IMG-341781

48



IMG-293023

Remove the screws.

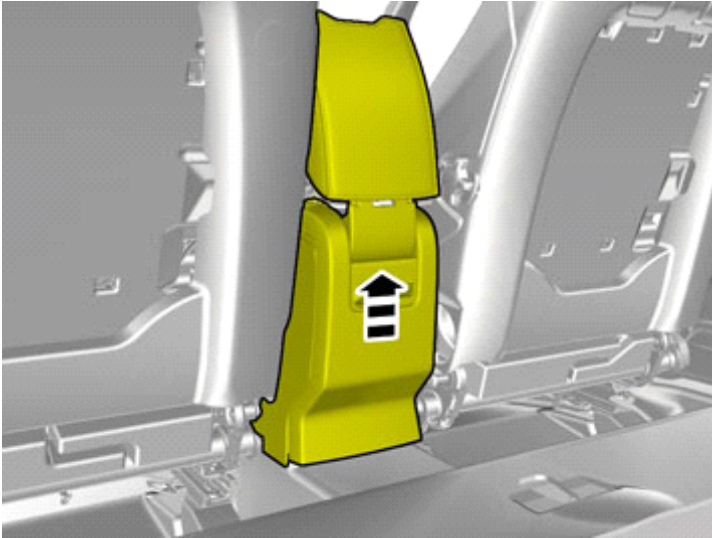




# Installation instructions, accessories

Volvo Car Corporation Gothenburg, Sweden

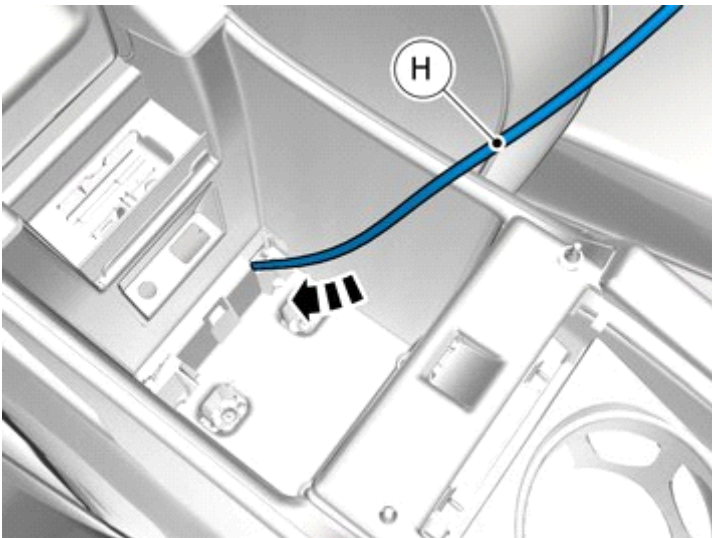
49



IMG-348624

Facilitate cable routing by temporarily raising the floor bracket using a socket or similar.

50



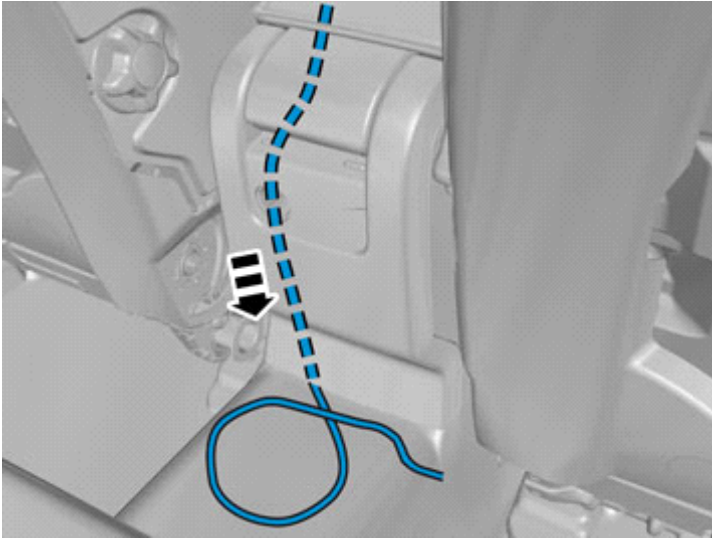
IMG-405913



# Installation instructions, accessories

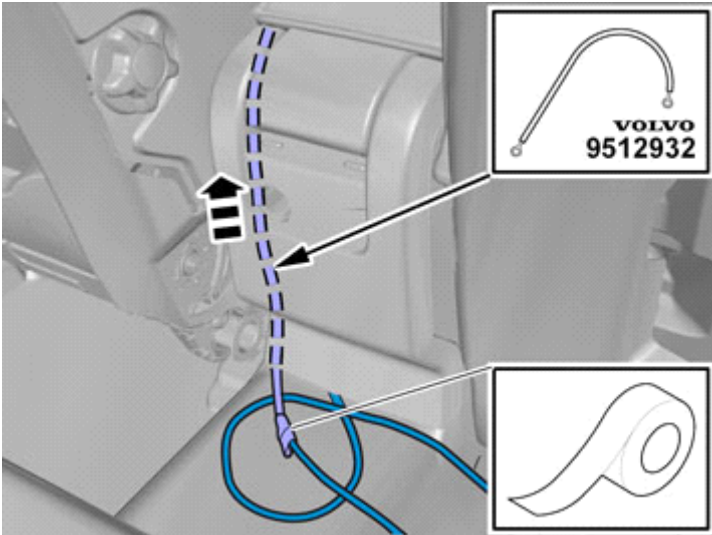
Volvo Car Corporation Gothenburg, Sweden

51



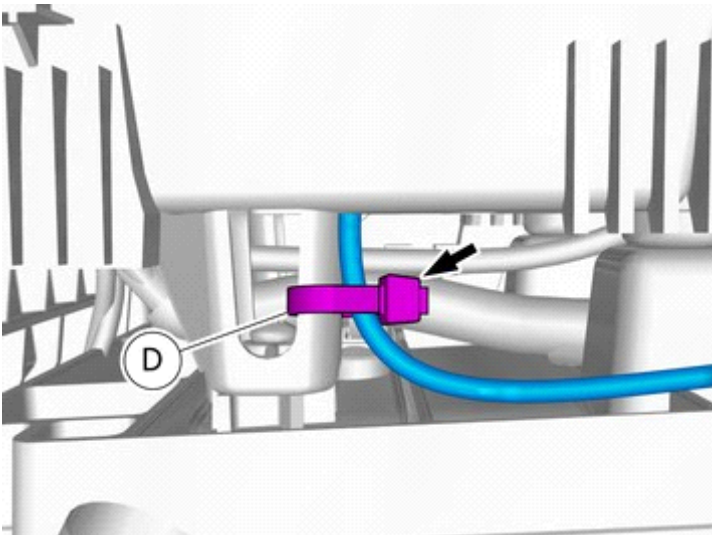
IMG-348617

52



IMG-348619

53



IMG-405853

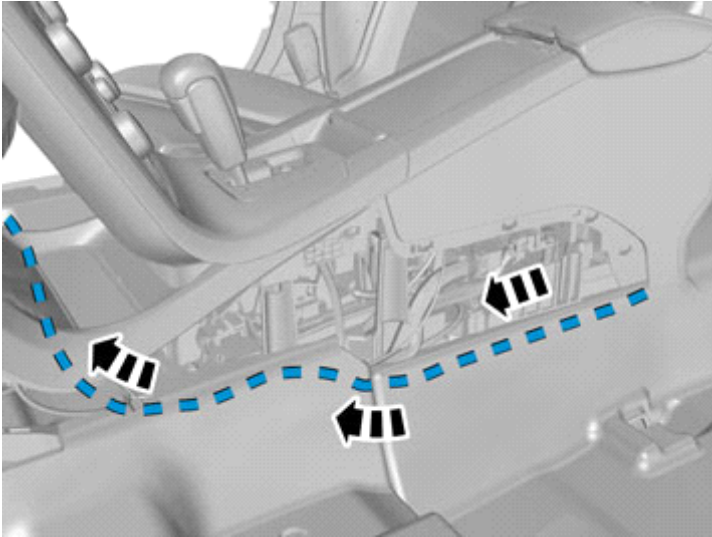
Tighten the cable tie.



# Installation instructions, accessories

Volvo Car Corporation Gothenburg, Sweden

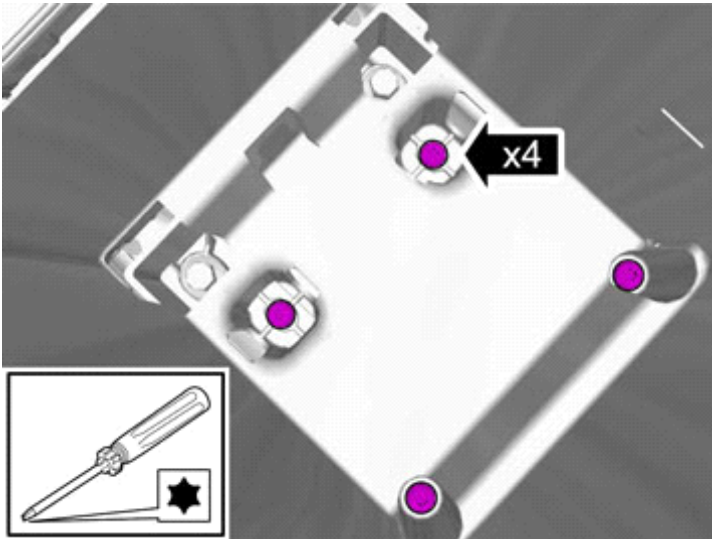
54



IMG-348987

All vehicles

55



IMG-293023

**Caution!**

Make sure that no part of the wiring harness is trapped.

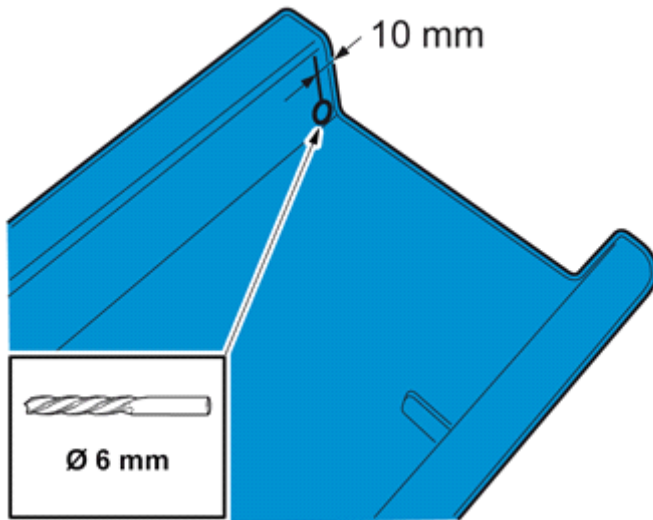
Reinstall the screws.



# Installation instructions, accessories

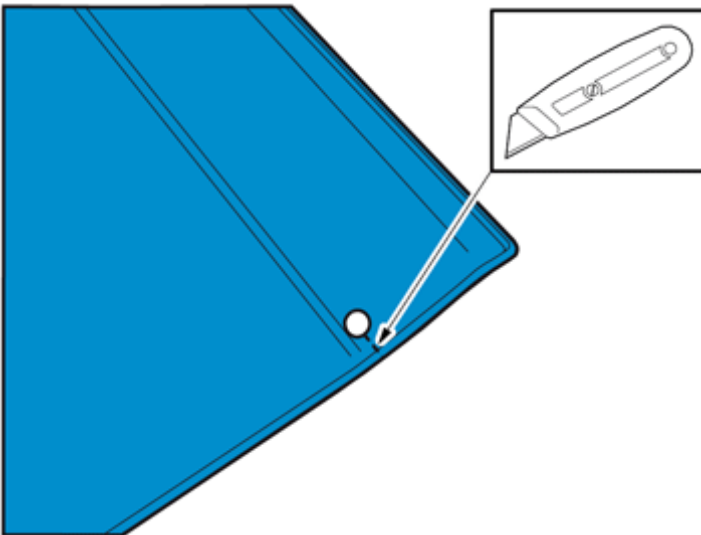
Volvo Car Corporation Gothenburg, Sweden

56



IMG-348606

57



IMG-348607

58



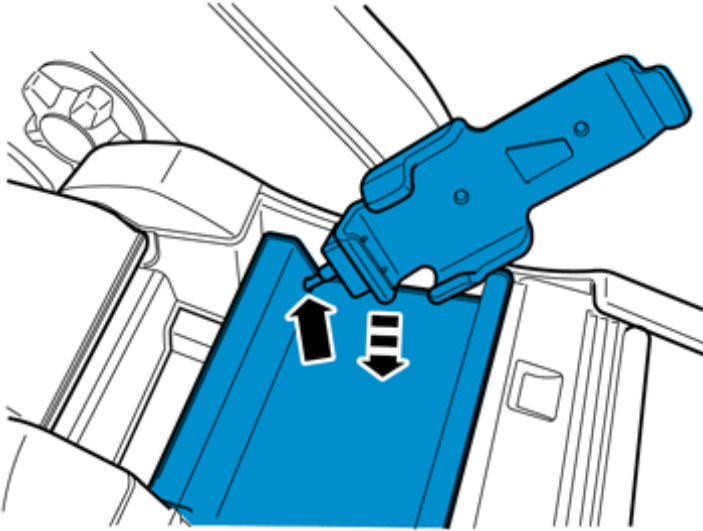
IMG-349298



# Installation instructions, accessories

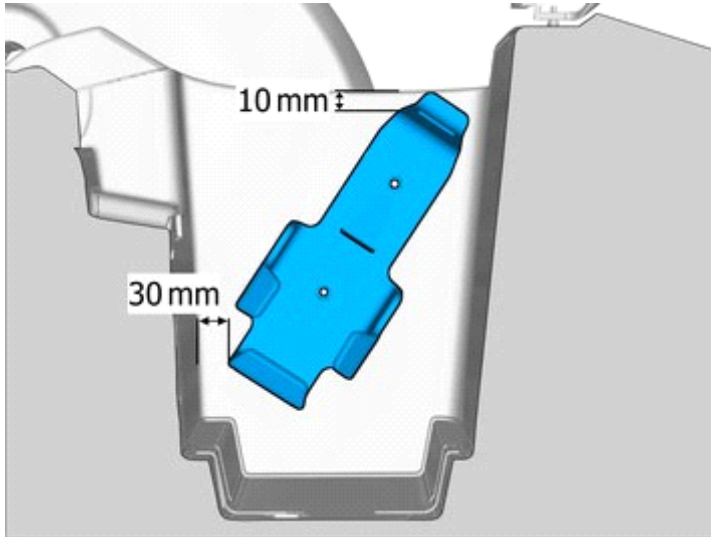
Volvo Car Corporation Gothenburg, Sweden

59



IMG-349061

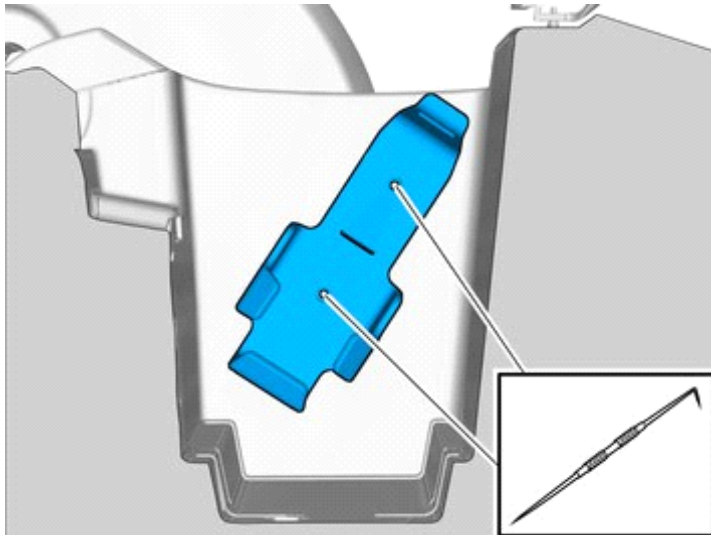
60



IMG-407421

Measure

61



IMG-407423

**Use:** Scribe

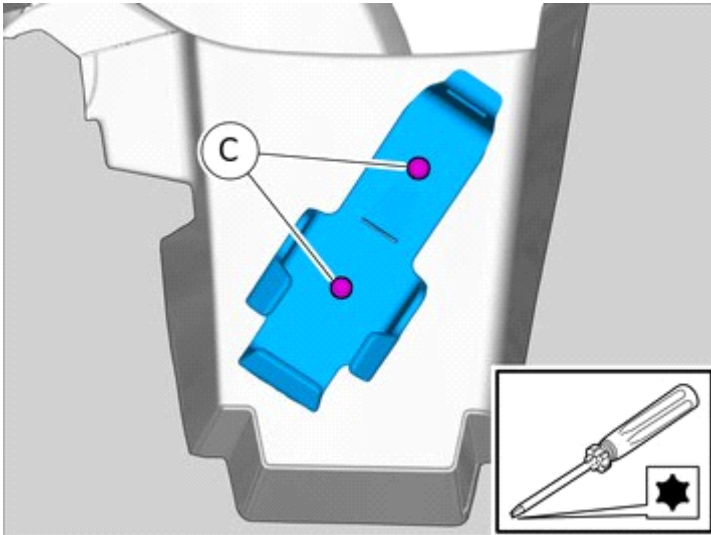
Make holes in the storage compartment using the point of a scribe.



# Installation instructions, accessories

Volvo Car Corporation Gothenburg, Sweden

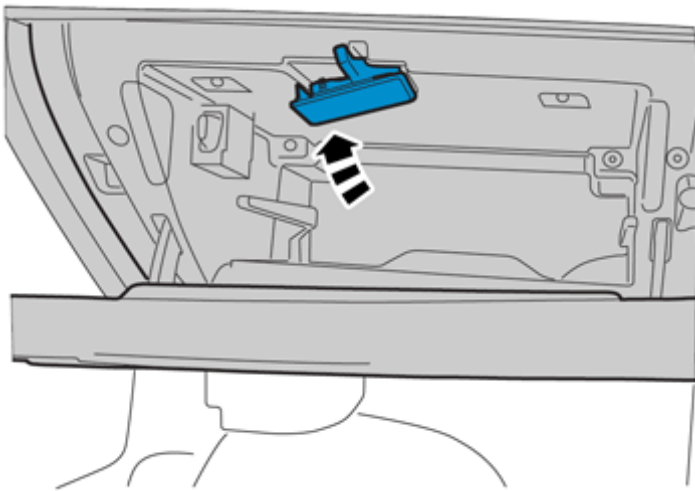
62



IMG-407425

Install the screws.

63



IMG-354767

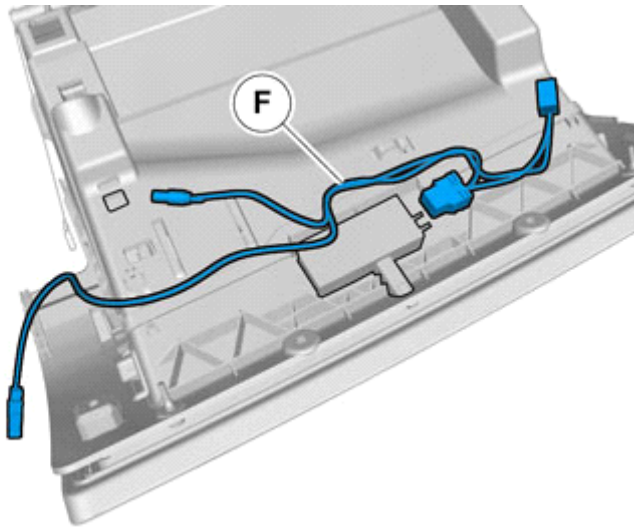




# Installation instructions, accessories

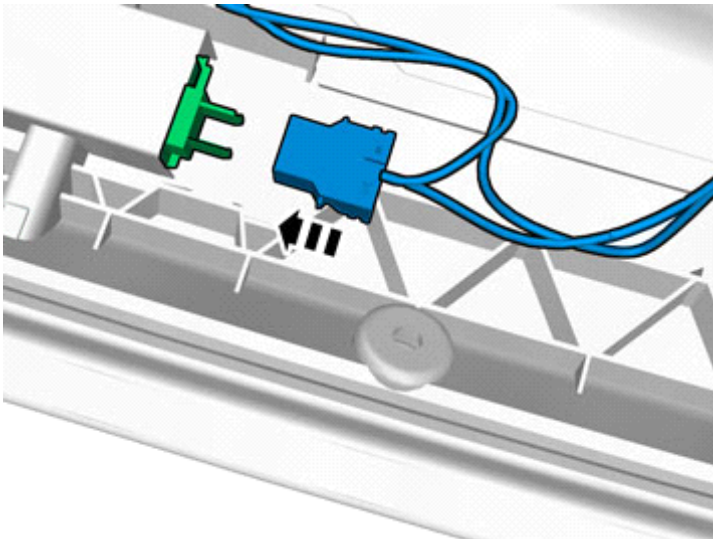
Volvo Car Corporation Gothenburg, Sweden

64



IMG-354768

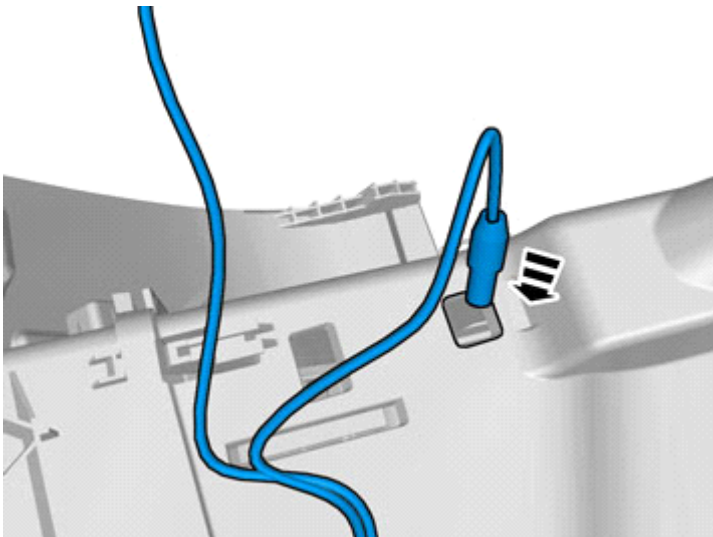
65



Connect the connector.

IMG-354769

66



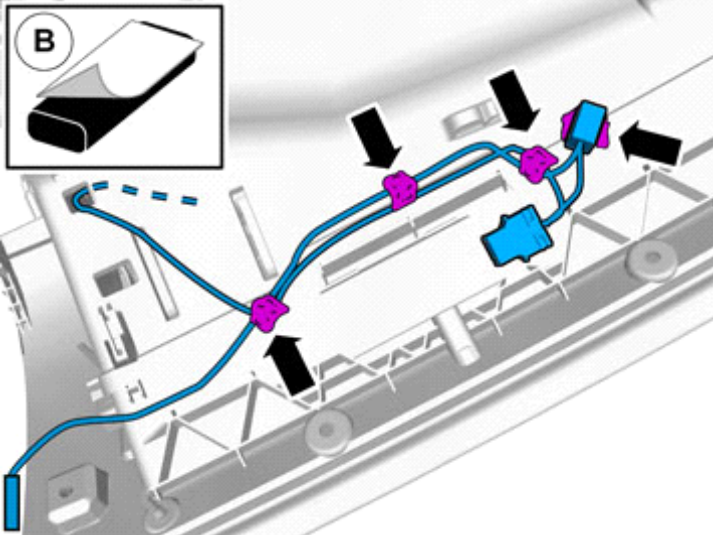
IMG-354770



# Installation instructions, accessories

Volvo Car Corporation Gothenburg, Sweden

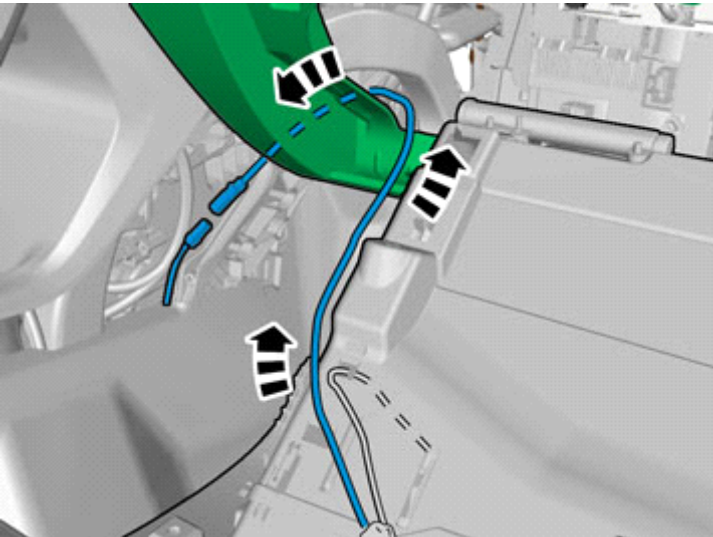
67



IMG-354771

Install the part with butyl tape.

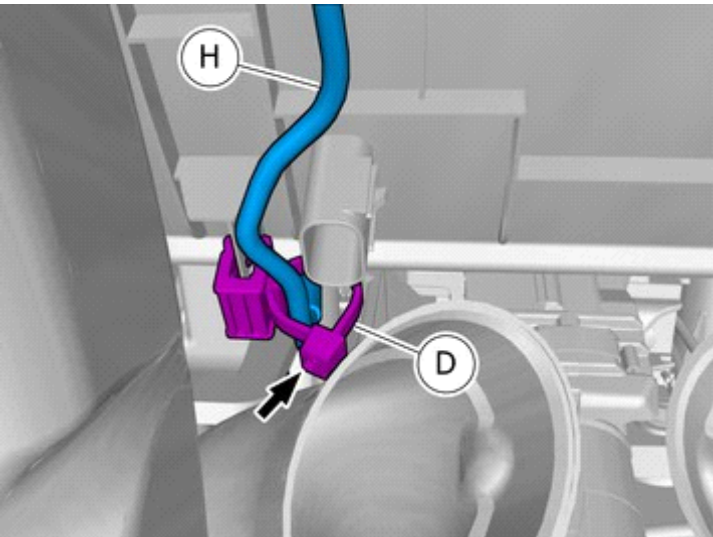
68



IMG-354772

Pull the wiring through.

69



IMG-405906

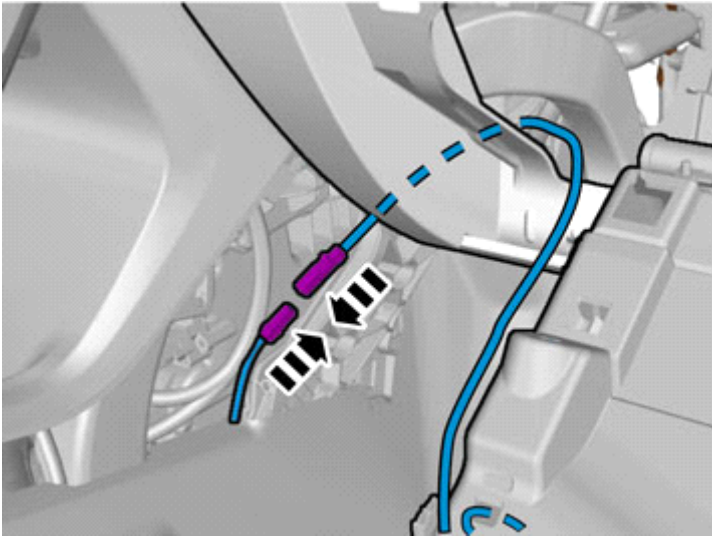
Tighten the cable tie.



# Installation instructions, accessories

Volvo Car Corporation Gothenburg, Sweden

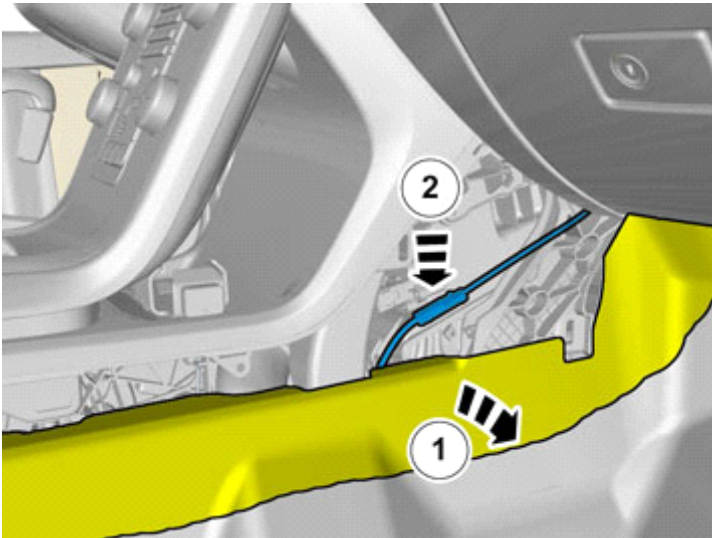
70



IMG-354773

Connect the connectors.

71



IMG-354774

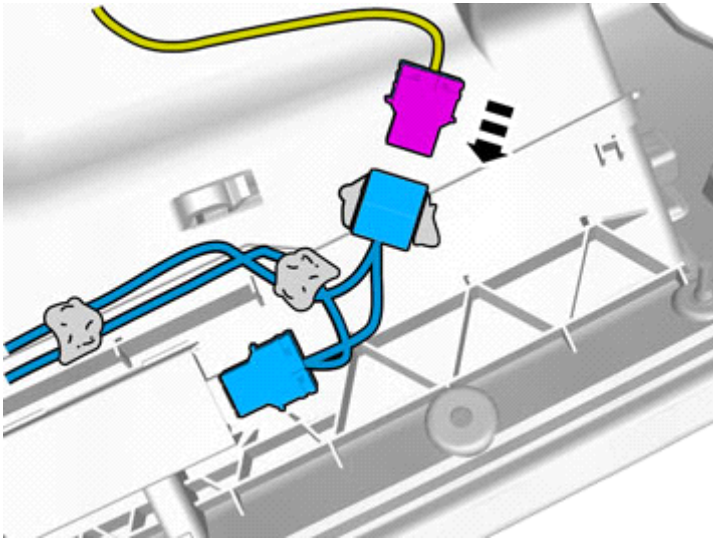
Place any excess inside the floor carpet.



# Installation instructions, accessories

Volvo Car Corporation Gothenburg, Sweden

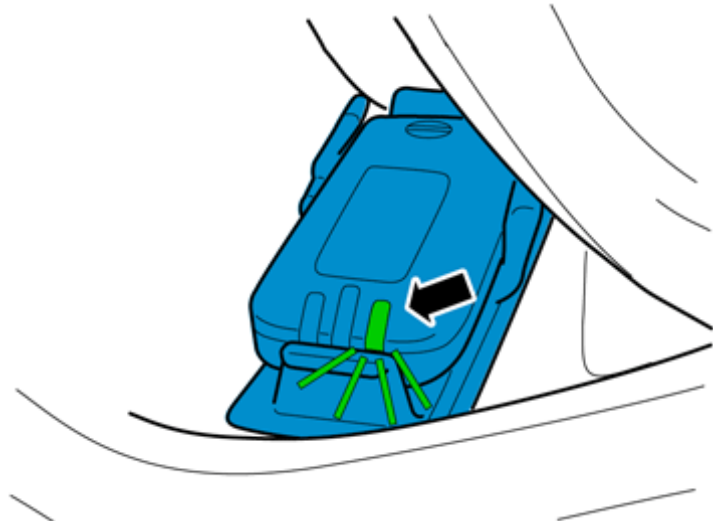
72



IMG-354775

Connect the connector.

73

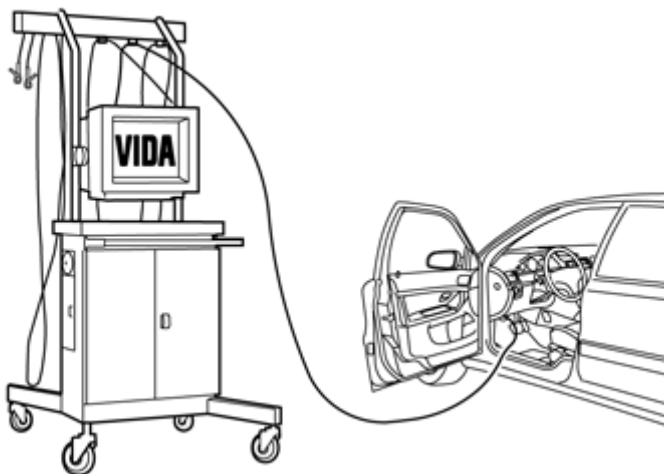


IMG-349075

The lamp with the battery symbol should flash if the power supply is correct, if not, the black connector must be turned to switch poles.

Reinstall the removed parts in reverse order.

74



IMG-242268

Download software (application) for the accessory's function according to the service information in VIDA. See VIDA or the accessories catalogue for software part number.



# Installation instructions, accessories

Volvo Car Corporation Gothenburg, Sweden

---